

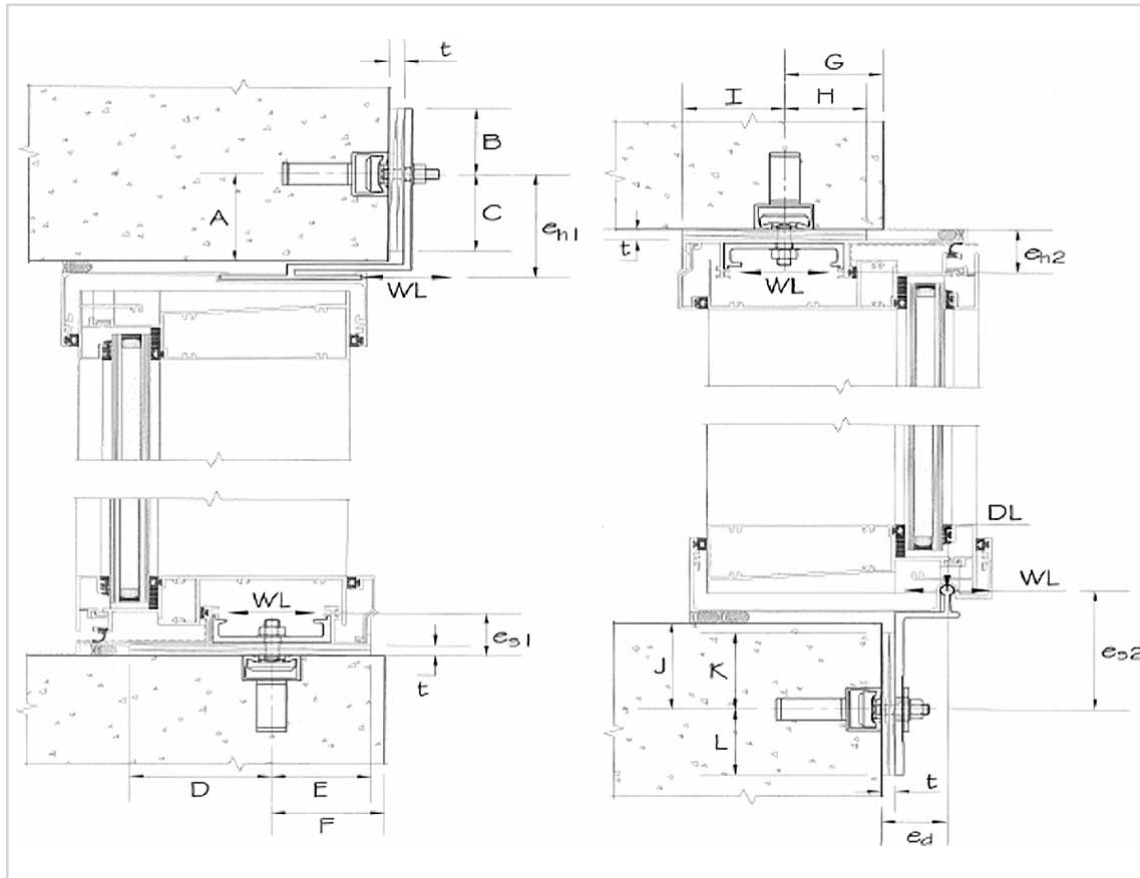
HALFEN CURTAIN WALL PUNCHED WINDOW ANCHORING QUESTIONNAIRE

- In order for us to be able to select the most efficient anchoring systems for your project, please:
1. Please provide "A" through "L" and "eh, es, ed, t & Bolt spacing" for custom clips (by others), as applicable.
 2. Fill required information, questions 1 to 5, under 'Project Information'
 3. Fax to 210-658-7908, e-mail to halfen@meadowburke.com or e-mail to Sales representative.

CLIP INQUIRY

CUSTOM CLIP

NOTE: Please show units.



A:

B:

C:

D:

E:

F:

G:

H:

I:

J:

K:

L:

e_{h1} :

e_{s1} :

e_{s2} :

e_d :

t:

PROJECT INFORMATION

Bolt spacing

1. Project Name: 2. Concrete Strength [f'c]: psi
3. Location: City: State: Normal Weight Concrete Light Weight Concrete
4. Dead Load 'DL': lb 5. Wind Load 'WL': lb

— If (4) "DL" and/or (5) "WL" are not know, please provide the following:

6. Window Height: ft 7. Window Width or Mullion Centers: ft
8. Window System Weight: psf 9. Wind Pressure: psf

NOTE: If dimensions and loads are in metric, please show units. 10. Wind Suction: psf